

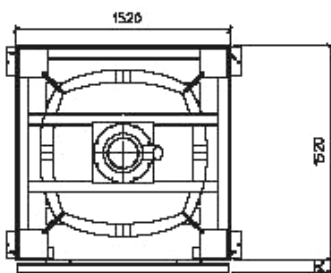
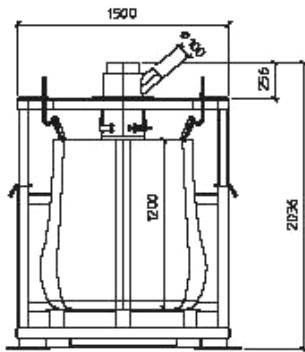


BIG-BAG FILLING UNIT:

- Dust tight filling
- Robust construction
- Easy loading / unloading on a pallet
- Mild Steel frame
- For granules and powders
- Different sizes available for specific Big-Bag dimensions

OPTIONAL:

- Exhaust pipe
- Stainless Steel Construction
- Weighing System which includes bottom plate on 4 load cells and local indicator
- Weighing controller with PLC to control a dosing machine
- Butterfly dosing valve DN250 with pneumatic actuator
- Rotary valve DN250 with 0.37kW motor as a dosing machine
- Double Unit for 2 Big-Bags with diverter for continuous operation



Double Big-Bag filling unit



Big-Bag filling unit with weighing automatic system



Load cell and mounting accessories detail



Big-Bag filling unit with screw conveyor



Loading and transporting of material